

**APPROVALS**



**ENGINEERING CODE**  
568JA9012AA

**APPROVED REFRIGERANT**  
R452A

**POWER SUPPLY**  
220 - 240V 50Hz ~

**STANDARD CONDITIONS**  
EN13215\_SH10

**APPLICATION**  
LBP

**COOLING CAPACITY**  
199 W

**EFFICIENCY**  
0.73 W/W

DATA

**General Data**

<b>Weight</b>	19.7 Kg
<b>Height</b>	296 mm
<b>Length</b>	465 mm
<b>Width</b>	340 mm
<b>Power Supply</b>	220 - 240 V 50 Hz

**Electrical Data**

<b>Motor Type</b>	CSIR
<b>Locked Rotor Amperage (LRA)</b>	13.5 A
<b>Max Current</b>	3.05 A

**Spare Parts**

<b>Condenser</b>	3R11T	2451206
<b>Fan Kit</b>	16W 254/28/5B	1996579
<b>Compressor</b>	NEU2140GK	958JA51..AN
<b>Electrical Kit</b>	ELKOM NEU2140GK	958JA51N1A

## Fan Motor

Number	1
Shaft Power	16 W
Air Flow	595 m <sup>3</sup> /h
Blade diameter	254 mm

### PERFORMANCE

## Rated Points

Ambient Temperature	Cooling Capacity	Power Consumption	Current	Efficiency
32.00°C	199 W	274 W	1.93 A	0.73 W/W

Test Condition EN13215\_SH10: Evaporating temp. -35.00°C, Ambient temp. 32.00°C, Return Gas 0 °C, Subcooling 3K , Superheating 10K

## Performance Curve Data

Ambient Temperature 25°C

Evaporating Temperature °C	Cooling Capacity W	Power Consumption W	Current A	Efficiency W/W
-40	180	247	1.9	0.73
-35	257	278	1.98	0.93
-30	340	309	2.07	1.1
-25	429	341	2.18	1.26
-20	525	374	2.31	1.4
-15	629	411	2.46	1.53
-10	741	450	2.63	1.65

Test Condition EN13215\_SH10: Evaporating temp. -35.00°C, Ambient temp. 25.00°C, Return Gas 0 °C, Subcooling 3K , Superheating 10K

### Ambient Temperature 32°C

Evaporating Temperature °C	Cooling Capacity W	Power Consumption W	Current A	Efficiency W/W
-40	125	239	1.83	0.52
-35	199	274	1.93	0.73
-30	279	311	2.05	0.9
-25	367	350	2.19	1.05
-20	462	392	2.35	1.18
-15	566	438	2.53	1.29
-10	678	489	2.74	1.39

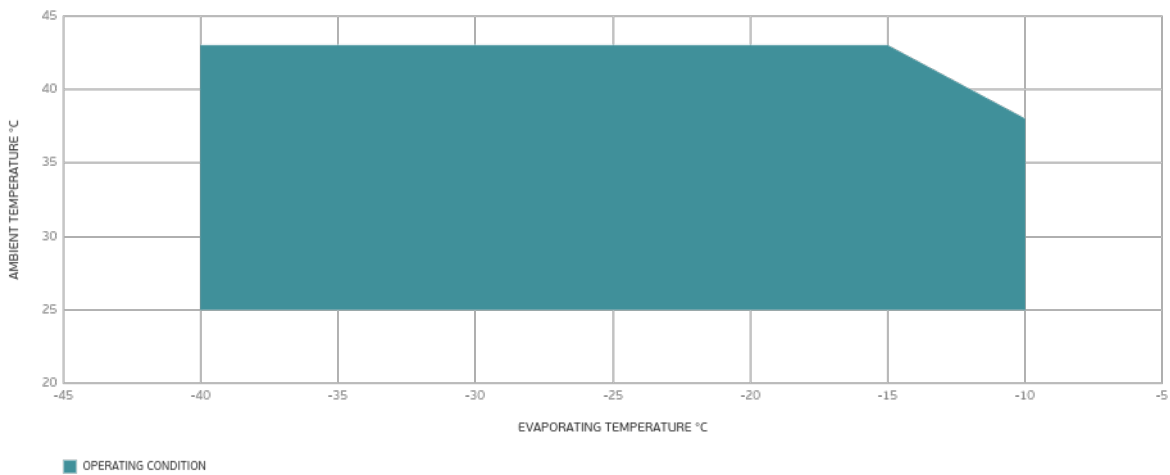
Test Condition EN13215\_SH10: Evaporating temp. -35.00°C, Ambient temp. 32.00°C, Return Gas 0 °C, Subcooling 3K , Superheating 10K

### Ambient Temperature 43°C

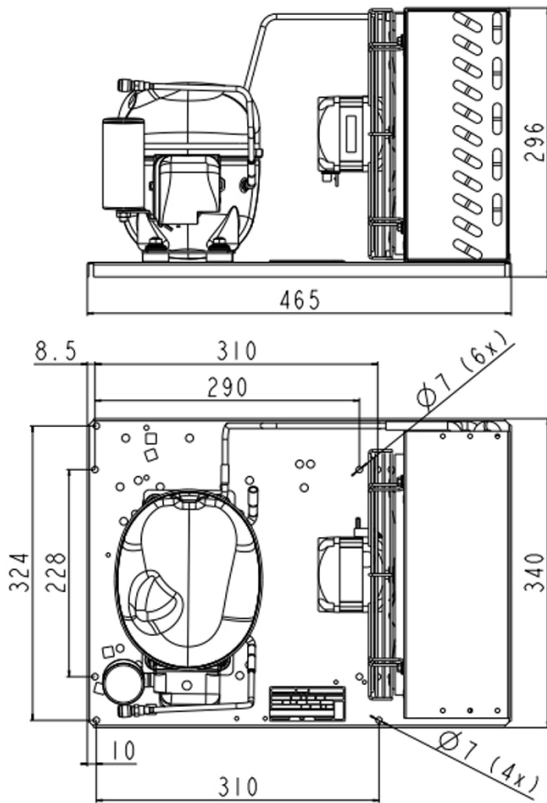
Evaporating Temperature °C	Cooling Capacity W	Power Consumption W	Current A	Efficiency W/W
-40	97	246	1.86	0.39
-35	143	279	1.96	0.51
-30	198	317	2.08	0.62
-25	261	359	2.22	0.73
-20	334	406	2.4	0.82
-15	416	460	2.6	0.91
-10	508	520	2.84	0.98

Test Condition EN13215\_SH10: Evaporating temp. -35.00°C, Ambient temp. 43.00°C, Return Gas 0 °C, Subcooling 3K , Superheating 10K

### Operating Envelope



## External Dimensions



## Wiring Diagram

