



**APPROVALS**




 **ENGINEERING CODE**  
552AA0012AA

 **APPROVED REFRIGERANT**  
R290

 **POWER SUPPLY**  
220 - 240V 50Hz ~

 **STANDARD CONDITIONS**  
EN13215\_SH10

 **APPLICATION**  
LBP

 **COOLING CAPACITY**  
258 W

 **EFFICIENCY**  
0.87 W/W

DATA

**General Data**

<b>Weight</b>	17.2 Kg
<b>Height</b>	296 mm
<b>Length</b>	465 mm
<b>Width</b>	340 mm
<b>Power Supply</b>	220 - 240 V 50 Hz

**Electrical Data**

<b>Motor Type</b>	CSIR
<b>Locked Rotor Amperage (LRA)</b>	14 A
<b>Max Current</b>	2.24 A

**Spare Parts**

<b>Condenser</b>	3R11T	2451206
<b>Fan Kit</b>	IQ3612 254/28/5P	1996703
<b>Compressor</b>	NEK2134U	862AA51..AM
<b>Electrical Kit</b>	ELKOM NEK2134U	862AA51N1A

## Noise Data

<b>Sound Power Level</b>	64.3 dB (A)	-	-
<b>Sound Pressure Level</b>	<b>at 1 m</b>	<b>at 5 m</b>	<b>at 10 m</b>
	56.3 dB (A)	42.3 dB (A)	36.3 dB (A)

## Fan Motor

<b>Number</b>	1
<b>Shaft Power</b>	-
<b>Air Flow</b>	595 m <sup>3</sup> /h
<b>Blade diameter</b>	254 mm

### PERFORMANCE

## Rated Points

Ambient Temperature	Cooling Capacity	Power Consumption	Current	Efficiency
32.00°C	258 W	297 W	2.01 A	0.87 W/W

Test Condition EN13215\_SH10: Evaporating temp. -35.00°C, Ambient temp. 32.00°C, Return Gas 0 °C, Subcooling 3K , Superheating 10K

## Performance Curve Data

Ambient Temperature 25°C

Evaporating Temperature °C	Cooling Capacity W	Power Consumption W	Current A	Efficiency W/W
-40	234	244	1.67	0.96
-35	288	289	1.95	1
-30	360	328	2.17	1.1
-25	450	364	2.33	1.24
-20	561	398	2.48	1.41
-15	690	431	2.63	1.6
-10	838	465	2.81	1.8

Test Condition EN13215\_SH10: Evaporating temp. -35.00°C, Ambient temp. 25.00°C, Return Gas 0 °C, Subcooling 3K , Superheating 10K

### Ambient Temperature 32°C

Evaporating Temperature °C	Cooling Capacity W	Power Consumption W	Current A	Efficiency W/W
-40	212	251	1.73	0.85
-35	258	297	2.01	0.87
-30	321	338	2.23	0.95
-25	403	375	2.4	1.08
-20	503	410	2.55	1.23
-15	621	445	2.71	1.4
-10	757	481	2.91	1.57

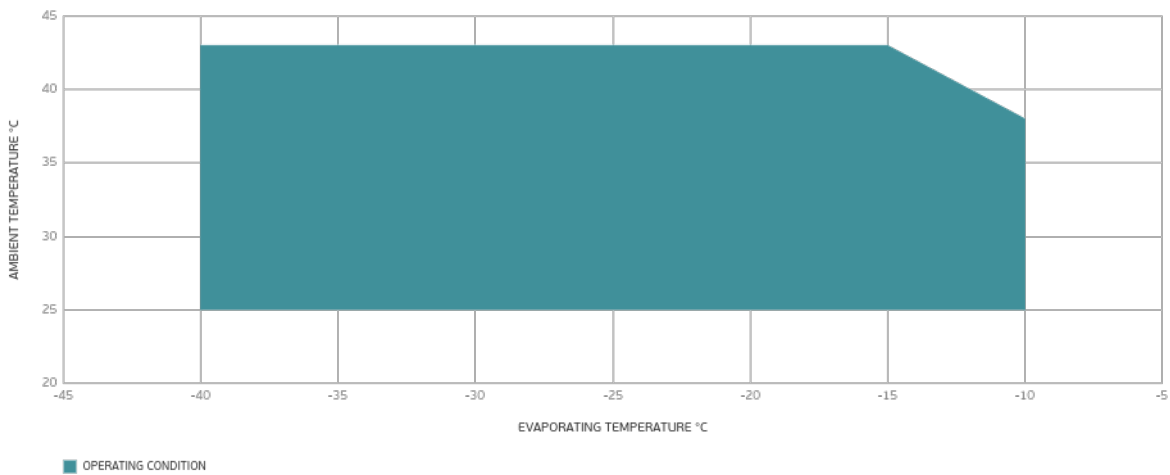
Test Condition EN13215\_SH10: Evaporating temp. -35.00°C, Ambient temp. 32.00°C, Return Gas 0 °C, Subcooling 3K , Superheating 10K

### Ambient Temperature 43°C

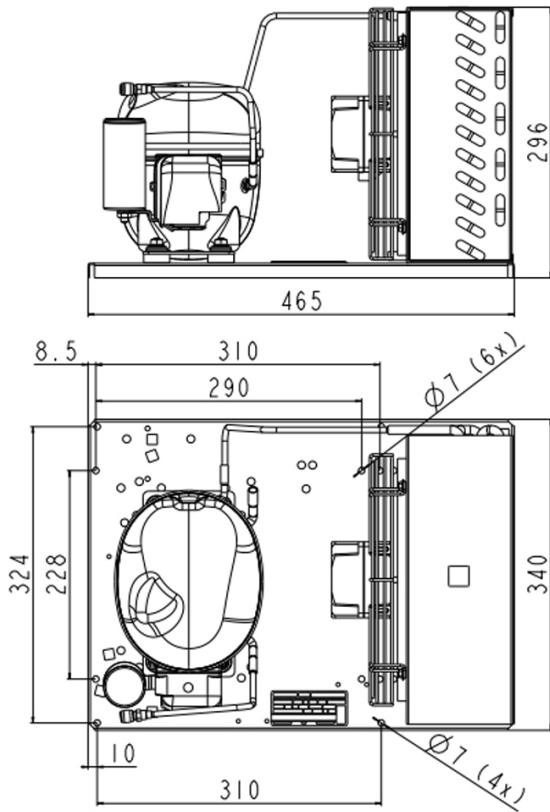
Evaporating Temperature °C	Cooling Capacity W	Power Consumption W	Current A	Efficiency W/W
-40	175	267	1.84	0.66
-35	212	314	2.13	0.68
-30	266	357	2.35	0.74
-25	335	396	2.53	0.85
-20	422	434	2.7	0.97
-15	525	471	2.88	1.11
-10	644	510	3.1	1.26

Test Condition EN13215\_SH10: Evaporating temp. -35.00°C, Ambient temp. 43.00°C, Return Gas 0 °C, Subcooling 3K , Superheating 10K

### Operating Envelope



## External Dimensions



## Wiring Diagram

